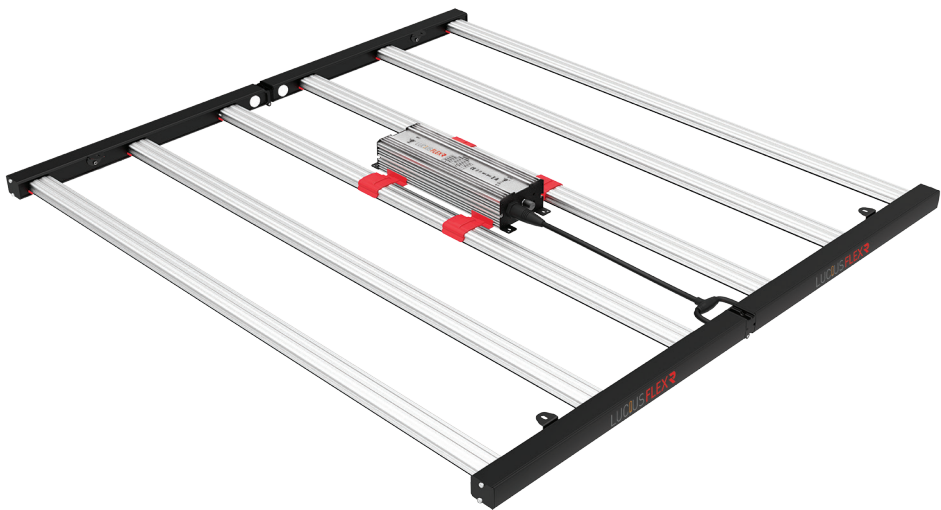


# LUCIUS FLEX



## USER MANUAL




# LUCIUS FLEX


## USER MANUAL

### INTRODUCTION

Congratulations for purchasing your LUCIUS FLEX . Please read and understand this manual in its entirety before using the LUCIUS FLEX . Have a certified personnel to install this fixture. Only use this product as specified within the manual.


### 1. PRODUCT DESCRIPTION

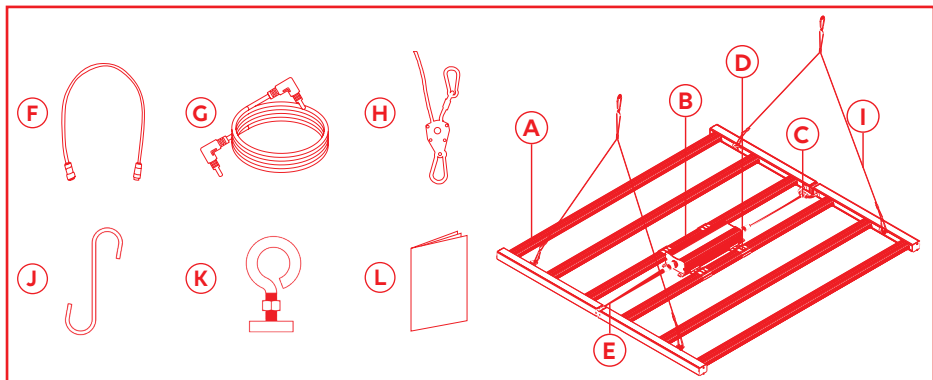
The LUCIUS FLEX  provides growers with the latest OSRAM LED technology in a 6-bar robust design.

Utilising 680W, the  series technology adopts enhanced red diodes to achieve a PPF efficacy of 3.5umol/J channelling an output of 2,380umol/s.





Each bar is built to last with an innovative IP65 rated silicon that protects the LEDs without compromising light output. Delivering optimal growth, crop after crop.

### 2. CONTENTS

- |                                |                                 |                                                                                                          |
|--------------------------------|---------------------------------|----------------------------------------------------------------------------------------------------------|
| <b>A</b> LED Fixture           | <b>B</b> LED Driver             | <b>C</b> Output Cable                                                                                    |
| <b>D</b> Driver Mount (x2)     | <b>E</b> Input Power Cable 2.4m | <b>F</b> Output Extension Cable 2m                                                                       |
| <b>G</b> 3.5mm Signal Cable 2m | <b>H</b> Rope Ratchet (x2)      | <b>I</b> Lance Hanger (x2)                                                                               |
| <b>J</b> S-Hanger (x2)         | <b>K</b> M4 Eyebolt (x2)        | <b>L</b> FLEX  Manual |



### 3. TECHNICAL SPECIFICATIONS

LUCIUS FLEX 		
<b>Product Code</b>	M2143	
<b>Power</b>	680W	
<b>Voltage Range/Frequency</b>	120-277V ~ 50/60Hz	
<b>Current</b>	120V	5.84A
	208V	3.37A
	220V	3.18A
	230V	3.05A
	240V	2.92A
	277V	2.53A
<b>PPF Efficacy</b>	3.5umol/J	
<b>Max PPF</b>	2380umol/s	
<b>Colour Temp</b>	4000K	
<b>CRI</b>	60%	
<b>PF</b>	>0.95	
<b>THD</b>	<12%	
<b>Beam Angle</b>	120°	
<b>Control Knob</b>	OFF/25/50/75/100% & 0-10V Led Control	
<b>Thermal management</b>	Passive	
<b>BTU/h</b>	2320	
<b>Size</b>	1170 x 1115 x 41mm 46.06 x 43.90 x 3.11"	
<b>Weight</b>	8.5±0.5kg 18.7±1.1Lbs	
<b>Working Temp</b>	-30°C to +45°C (-22°F to +113°F)	
<b>Storage Temp</b>	-40°C to +70°C (-40°F to +158°F)	
<b>IP rating</b>	IP65	
<b>Warranty</b>	4 Years	
<b>Certificates</b>	FC  CE  	

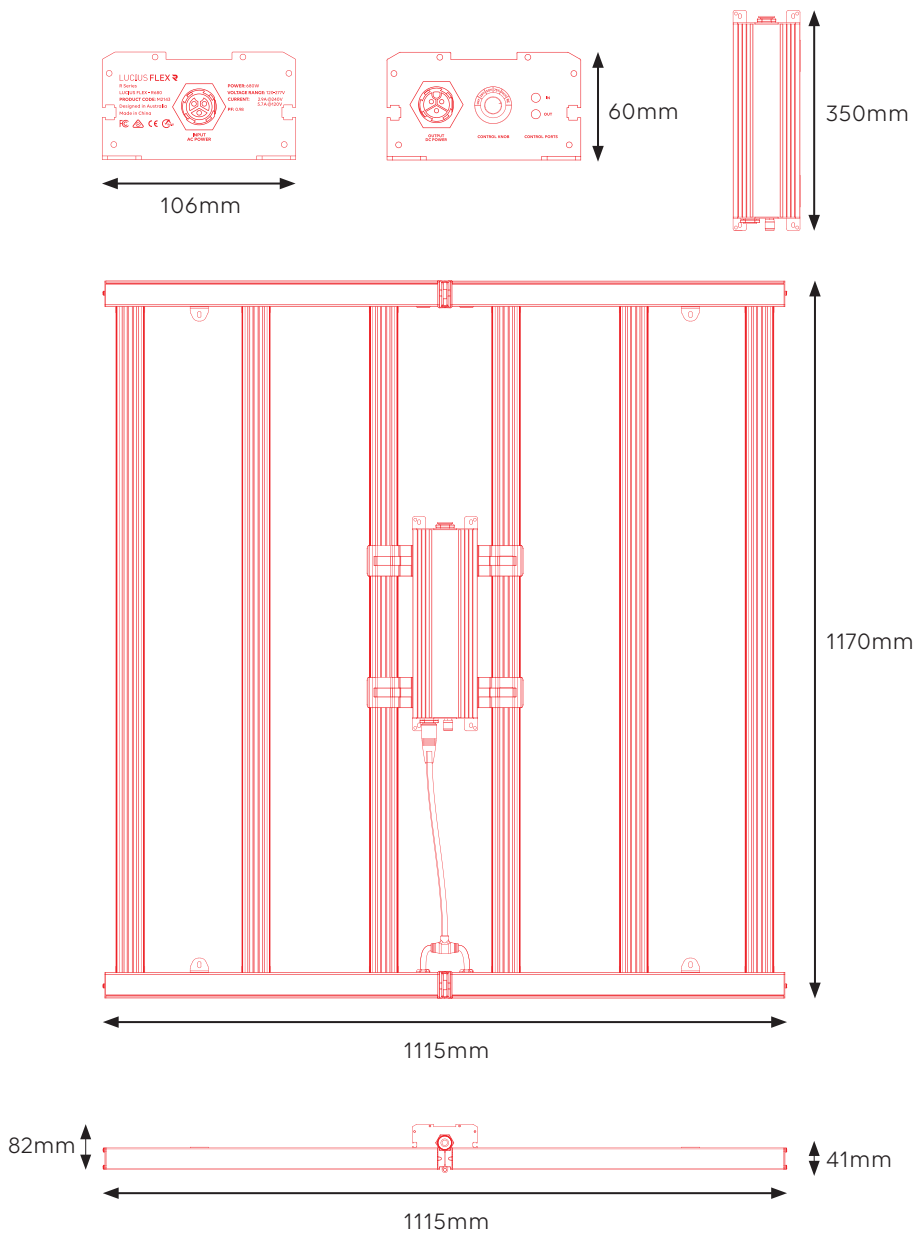
FIXTURE COVERAGE AREA			
Application	Vegetative	Flowering	High Flowering
<sup>1</sup> Hanging Height (cm)	100	50	40
<b>Max PPFD (umol/s/m<sup>2</sup>)</b>	500	1000	1200
<b>Coverage LxW (m)</b>	2.35 x 2.4	1.6 x 1.8	1.53 x 1.7
<sup>2</sup> <b>Coverage Area (m<sup>2</sup>)</b>	5.64	2.88	2.60
<b>Uniformity</b>	0.49	0.48	0.50

<sup>1</sup>Hanging Height refers to the distance between the plant canopy and the LED.

<sup>2</sup>Coverage Area refers to the region that the plants receive at minimum 200PPFD for Flowering and 100PPFD for Vegetative.

See [Lucius.com.au](http://Lucius.com.au) to view the PPFD Map.

## 4. DIMENSIONS



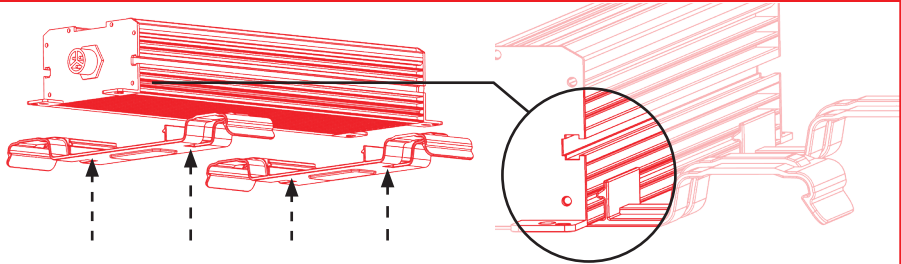
## 5. INSTALLATION

Unbox and unfold the LUCIUS FLEX  on a flat surface with the LEDs facing down.

**NOTE: DO NOT remove safety covers protecting the LEDs until fixture is installed.**

### DRIVER-FIXTURE INSTALLATION

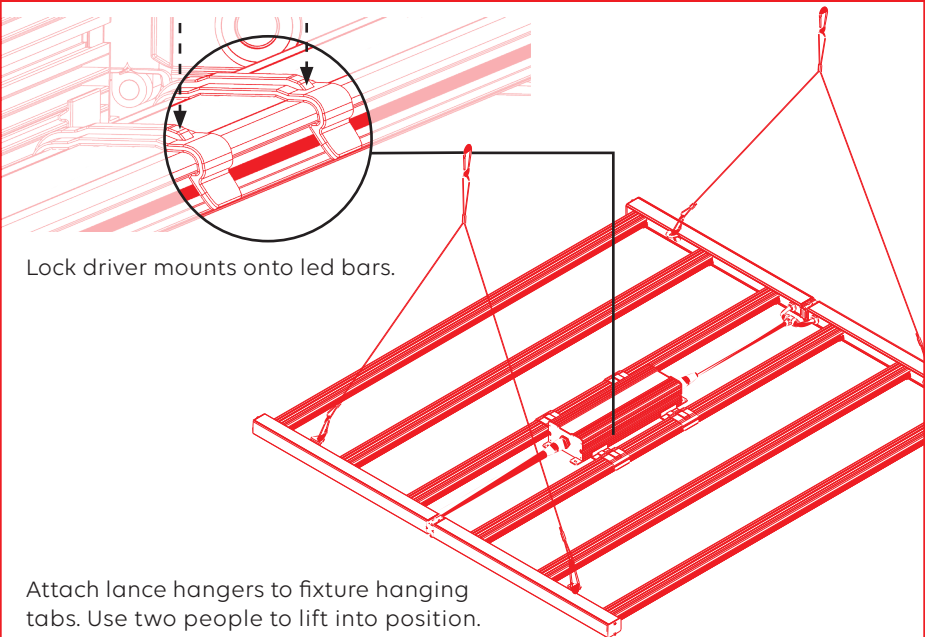
#### STEP 1. ATTACH DRIVER MOUNTS



Push mounts onto driver.

Ensure mounts are flush to driver base.

#### STEP 2. ATTACH DRIVER AND HANG FIXTURE



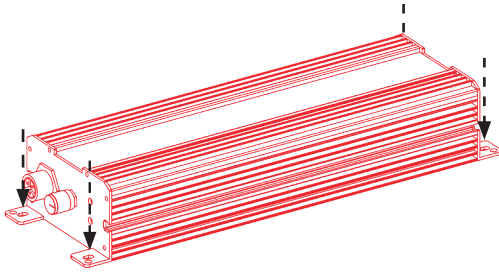
Lock driver mounts onto led bars.

Attach lance hangers to fixture hanging tabs. Use two people to lift into position.

**REMOVE** the LED safety covers before powering on fixture.

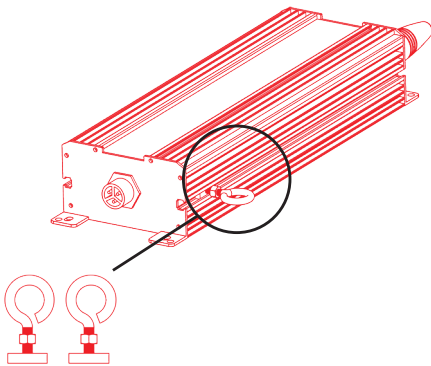
## REMOTE DRIVER INSTALLATION

### OPTION 1. SURFACE MOUNT

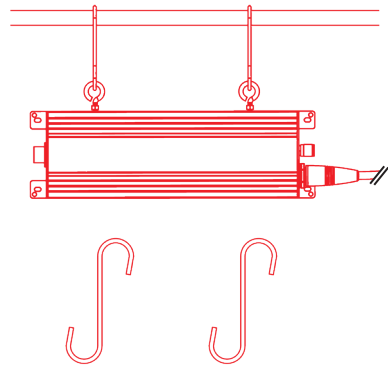


Mount driver to a secure surface with screws.

### OPTION 2. S-HANGER



**1.** Slide and tighten eyebolts in driver channel.

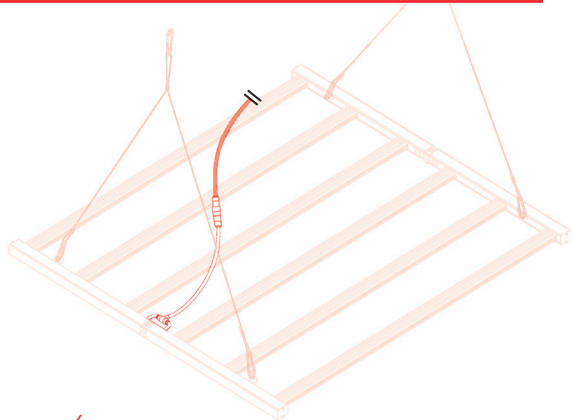


**2.** Secure S-Hanger to anchor point and hang driver.

Attach lance hangers to fixture hanging tabs. Use two people to lift into position

Connect the output extension cable between the fixture and driver.

**REMOVE** the LED safety covers before powering on fixture.



## 6. CONTROL

### (1) Manual Control

The dimming knob has 5 power levels. 25%, 50%, 75%, 100% and OFF.

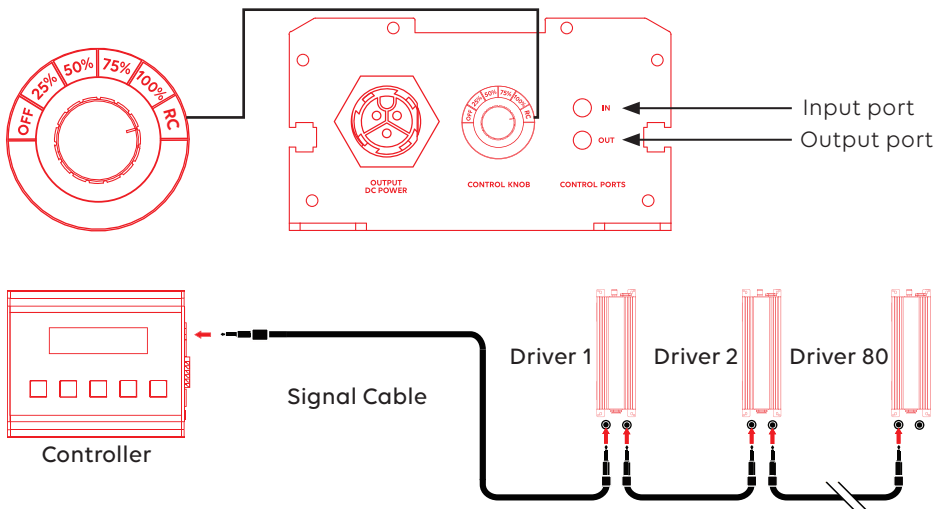
### (2) External Control

#### Connecting Single LED Fixture

Connect your external LED controller to the driver by connecting the 3.5mm Signal Cable to the "IN" Port. Then set the dimming knob to the RC setting.

#### Connecting Multiple LED Fixtures

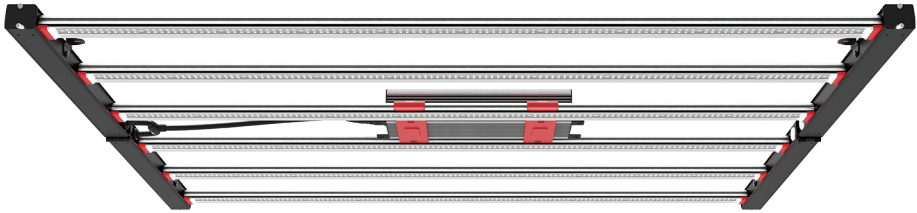
Continuing on from 'Connecting Single LED Fixture' instructions. Connect 3.5mm Signal Cable to the "OUT" port of the first driver and connect to the "IN" port of the second driver. Repeat these steps until your desired numbers of fixtures are connected.



## 7. WARRANTY - CONTACT YOUR RETAILER FOR WARRANTY CLAIMS AND SUPPORT.

The company warrants the mechanical and electronic components of this product and guarantees the materials and workmanship is free of defects if used under normal operating conditions, for a period of four years from the original date of purchase.

If you find that there are any defects with this product that relate to either the workmanship or the materials but are not due to improper use or user error, the company shall, at its discretion, either replace or repair the product. The date of the limited warranty shall apply to the replacement from the date of the purchase of the initial product for four years. For T&C's please check our website [lucius.com.au](http://lucius.com.au).



[lucius.com.au](http://lucius.com.au)